

Produkt Info / Product Information



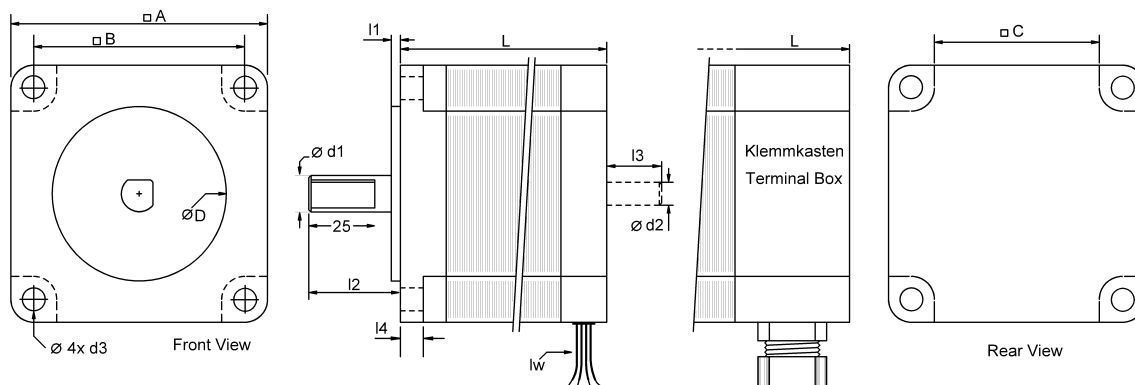
2 Phasen Schrittmotor / 2 Phase Stepper Motor sm29xht-KF7.0A-008



Technische Daten / Specifications: bipolar parallel

| Type | Haltemoment Holding Torque [Nm] | Strom Current [A] | Widerstand Resistance [Ω] | Induktivität Inductance [mH] | Rotorträgheit Rotor Inertia [kgm ² x 10 ⁻⁴] | Anschluss Wiring | Gewicht Weight [kg] |
|--------------|--|-------------------------|---------------------------------|------------------------------------|--|---------------------|---------------------------|
| sm296ht-... | 3,1 | 7,0 | 0,2±10% | 1,0±20% | 0,85 | PG19 | 2,00 |
| sm299ht-... | 7,0 | 7,0 | 0,28±10% | 2,4±20% | 1,55 | PG19 | 3,10 |
| sm2913ht-... | 9,0 | 7,0 | 0,35±10% | 3,4±20% | 2,2 | PG19 | 4,15 |

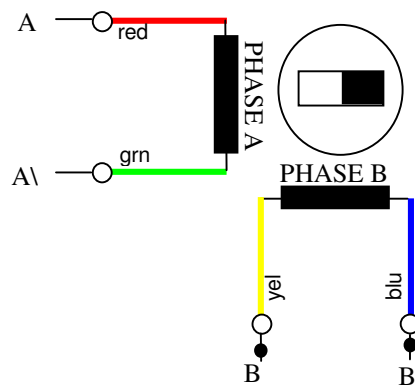
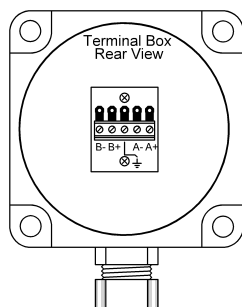
Abmessungen / Dimensions: [mm]



| Type | A | B | C | D | L | d1 | d2 | d3 | l1 | l2 | l3 | l4 | lw |
|--------------|----|------|------|----|-----|----|-----|-----|-----|----|-----|----|-----|
| sm296ht-... | 86 | 69,6 | 57,5 | 73 | 106 | 14 | --- | 6,5 | 1,6 | 37 | --- | 10 | --- |
| sm299ht-... | 86 | 69,6 | 57,5 | 73 | 138 | 14 | --- | 6,5 | 1,6 | 37 | --- | 10 | --- |
| sm2913ht-... | 86 | 69,6 | 57,5 | 73 | 165 | 14 | --- | 6,5 | 1,6 | 37 | --- | 10 | --- |

Anschlüsse und Litzenfarben

Wiring and color of lead wires:



Industrial Stepper Drive Solutions